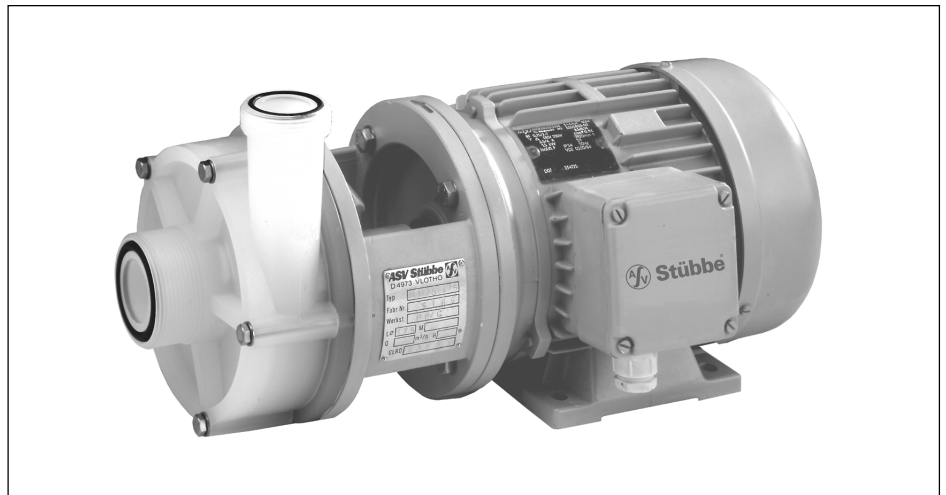


# Thermoplastic Centrifugal Pumps, Type KHB

ASV Stübbe GmbH & Co. KG • Hollwieser Straße 5 • D-32602 Vlotho • Fon +49 (0) 57 33.7 99-0 • Fax +49 (0) 57 33.7 99-2 00 • www.asv-stuebbe.de • contact@asv-stuebbe.de

**Monobloc pumps,  
in the sizes:  
KHB 15- 80  
KHB 20-100  
KHB 25-125**



- **For liquid, neutral and aggressive fluids. Centrifugal pumps for the pumping of acids, lyes and solutions.**
- **Coordinated shaft sealing arrangement as single acting or double acting mechanical seal.**
- **Thick-walled, injection-moulded pump housing made of high-quality HD-PE, PP und PVDF.**
- **For operating temperatures up to + 60 °C (HD-PE), up to + 80 °C (PP) and up to +110 °C (PVDF).**
- **Capacity up to 13 m<sup>3</sup>/h, head up to 23 m, speed 2.900 min<sup>-1</sup>.**

The ASV monobloc pumps in the a.m. sizes are horizontal, standard sucking small-centrifugal pumps with a direct coupled motor.

High-quality materials and decades of experiences in thermoplastic selection (resistance) and fabrication guarantee good results in the industrial and process engineering, for materials to be hard conveyed, too.

The injection-moulded thermoplastic pump housings contain an axial suction connection and the tangential pressure connection (see picture).

The closed impeller is mounted on the shaft independent of direction of rotation. The impeller fastening is liquid tight encased.

The motor shaft is protected by a thermoplastic shaft protection sleeve against the fluid. The shaft seal is placed on it. The seal is selected according to the fluid as single acting or double acting

mechanical seal. The double acting mechanical seals are provided with a chamber for connection to a sealant fluid line and on request it can be equipped with a complete system.

For the protection against acid vapours the 3-phase-current-motor and the intermediate flange are coated with an acid varnish of high-quality and the connection bolts are made of special steel in serie.

## Materials

- **Housing** and all other pump parts touched by the fluid: HD-PE, PP und PVDF
- **Impeller:** HD-PE, PP und PVDF
- **Shaft seal:** Mechanical seals of high repute manufacturer in different material combinations.
- **Shaft protection sleeve** for liquid tight encasing of the motor shaft: PE, PP und PVDF
- **Intermediate flange:** grey cast iron
- **Screws:** stainless steel (1.4301)
- **O-ring sealings:** CSM and FPM
- **Corrosion protection:** Motor and metal parts on the outside with 2 component protection paint coat.

**Other materials on request.**

## Technical data

Capacity and head see opposite curves (for water at 20 °C).

- **Motor:** 3-phase-current-motor in two sizes acc. to IEC (VDE 0530), for 230/400 V, 50 Hz, structural shape IM B34, enclosure IP 55, speed  $n = 2.900 \text{ min}^{-1}$ . Other electrical dates (e.g. ex-proof) on request.

- **Operating temperature:** Depending on the operating conditions, the following approximate temperatures apply:

PE : up to + 60 °C  
 PP : up to + 80 °C  
 PVDF : up to + 110 °C

Values below 0°C on request with exact data of operation.

- **Dimensions** see drawing and chart.

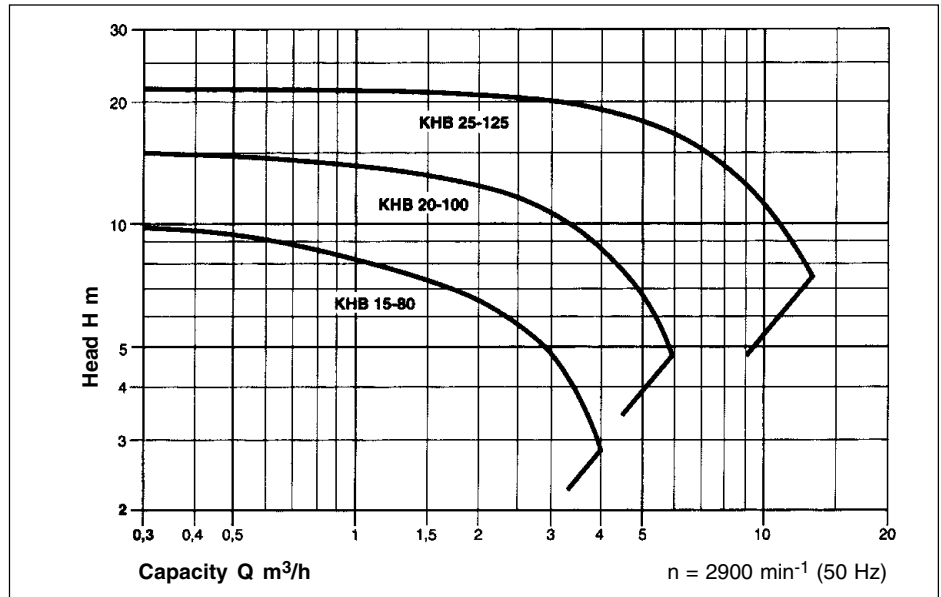
- **Weight** of pumps with standard motors:

KHB 15- 80 approx. 8,5 kg  
 KHB 20-100 approx. 10,0 kg  
 KHB 25-125 approx. 14,0 kg

**For other technical data, higher capacities or heads, please see our bloc and norm pumps type NMB and type NM (print No. 340 021 and 340 022).**

## Accessories

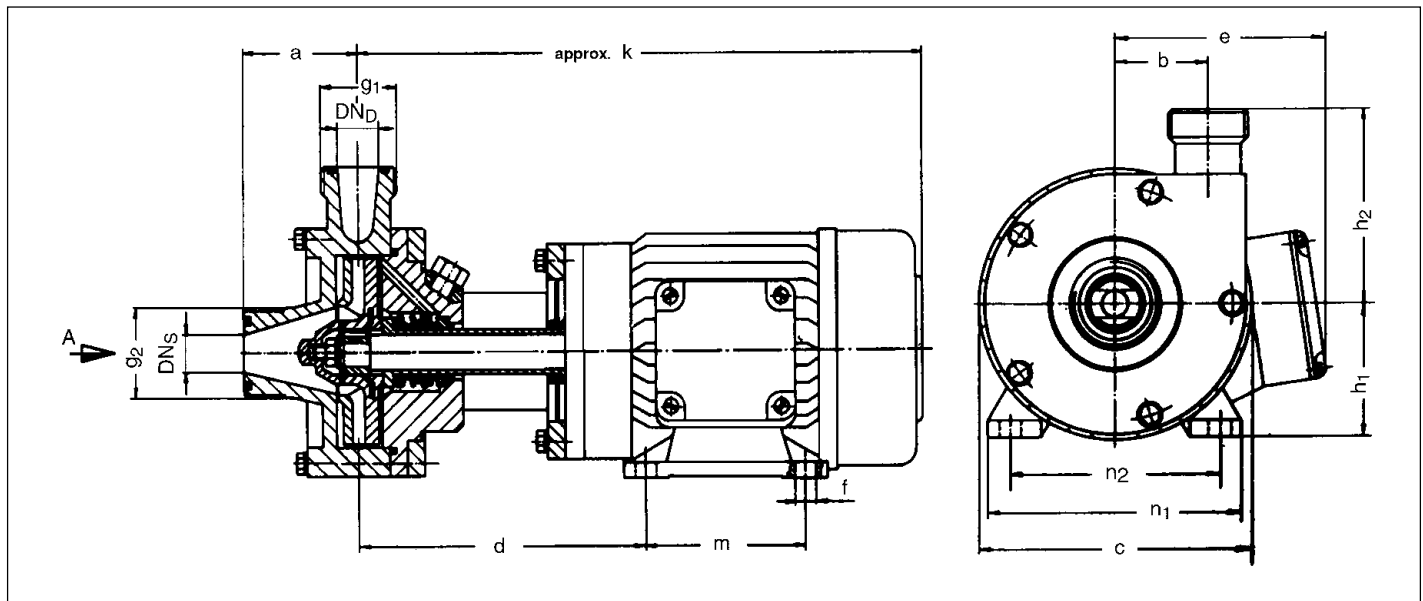
Adaptor suction tank for the self-priming of the pump or dry-running protection, see separate data sheets. For further accessories please see the fittings catalogue with hand operated and automatic valves, measurement and control systems as well as accessories for pipe systems.



pump type	connection*		dimensions mm								
	DN <sub>D</sub>	DN <sub>S</sub>	a	b	c	d	e	g <sub>1</sub>	g <sub>2</sub>	h <sub>1</sub>	h <sub>2</sub>
15-80	15	20	63	40	143	161	112	G 1"	G 1 1/4"	71	93
20-100	20	25	63	50	143	161	112	G 1 1/4"	G 1 1/2"	71	102
25-125	25	32	60	58	160	169	119	G 1 1/2"	G 2"	80	112

pump type	motor size	power kW	speed min <sup>-1</sup>	amperage A	dimensions mm				
					f	m	n <sub>1</sub>	n <sub>2</sub>	k
15-80	71	0,37	2.850	1,05	7	90	138	112	317
	71	0,55	2.850	1,45	7	90	138	112	317
20-100	71	0,55	2.850	1,45	7	90	138	112	317
	71	0,75	2.850	1,95	7	90	138	112	317
25-125	80	1,10	2.850	2,55	9	100	153	125	358
	80	1,5	2.850	3,40	9	100	153	125	358

\*Acc. to DIN 8063



Technical alterations excepted