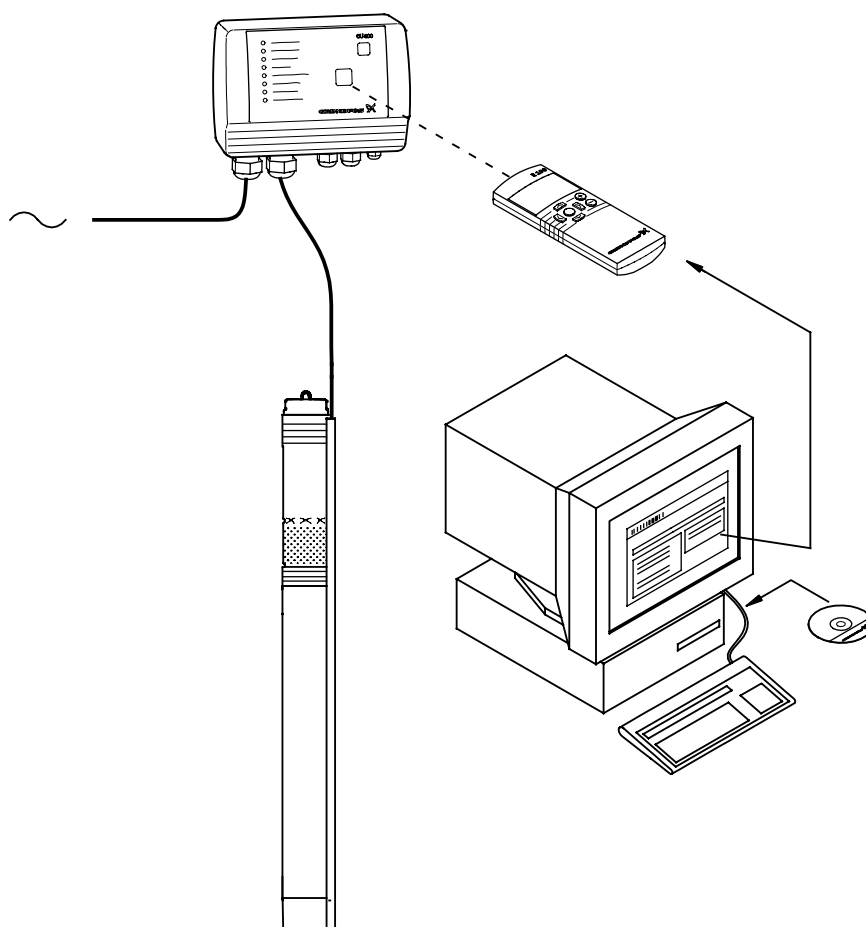


PC Tool SQE Speed Calculation

(Prod. no. 96 42 68 40)

Ⓞ GB Installation and operating instructions



Introduction

PC tool kit

The PC tool kit “SQE Speed Calculation” you have just opened consists of:

- 1 CD-ROM with the “SQE Speed Calculation” software.
 - 1 registration card.
 - These Installation and operating instructions.
-

Contents

These Installation and operating instructions cover the following topics:

Topic	See page
Introduction	3
Installation	4
Operation	5 - 6

Installation

System requirements

The “SQE Speed Calculation” software has the following minimum system requirements.

- Windows 95 or later.
 - 5 Mb free memory on the hard disk.
 - CD-ROM drive.
 - Mouse or other suitable pointing device.
-

Description

“SQE Speed Calculation” comes with an installation script which creates a directory on your hard disk, and stores the necessary files in this directory.

By default the Setup Program creates the following directory “C:\Program Files\SQE Speed Calculation” and the installation will generate this icon:



It is possible to change the name of this directory both during the installation and afterwards.

The following instructions presuppose that:

- Windows is started.
 - The CD-ROM is inserted into the CD-ROM drive.
-

Windows procedure

Use the following procedure when the “SQE Speed Calculation” program is installed on Windows:

- Insert the installation CD-ROM into the CD-ROM drive.
 - Select “Run” from the taskbar Start menu.
 - Type “E:\Setup.exe” in the dialogue box and press Enter or click on “OK”.
 - Follow the Installation instructions given on the screen.
-

Operation

Purpose

The SQE pumps together with a CU 300 or a CU 301 control unit and the R100 remote control feature continuously variable speed control within the range of 7000 - 10700 rpm in steps of 100 rpm.

The pump can thus be set to operate in any duty point in the range between min. and max. performance curves of the actual pump.

Start up

Find and click the “SQE Speed Calculation” program in Windows start menu. The following start display will be shown:

Display

The screenshot shows a Windows-style application window titled "SQE Speed Calculation, Model B Pumps". The window has a menu bar with "View", "Setup", and "Help". Below the menu bar are three icons: a folder, a magnifying glass, and a question mark. The main area is divided into two sections. The top section, "Method of calculation", has two radio buttons: "Choose duty-point and calculate speed" (selected) and "Choose speed and calculate curves". The "Choose duty-point" section contains a "Pump Type" dropdown menu set to "SQE1-35", a "Flow" input field with "[m3/h]" and the value "3", a "Head" input field with "[m]" and the value "45", and two empty output fields for "Calculated Head [m]" and "Calculated Speed [rpm]". The "Choose speed" section contains a "Pump Type" dropdown menu set to "SQE3-55" and a "Speed" input field with "[rpm]" and the value "9000". At the bottom right are "Calculate" and "Cancel" buttons.

Calculation

There are two possible “methods of calculation”:

1. Choose duty-point and calculate speed:

Step	Action
1	Enter pump type.
2	Enter the required flow.
3	Enter the required head.
4	Click “calculate”. Result: The program will now calculate and display the required speed, the precise head and the corresponding curves: Q/H, P2, Eta_{pump} , P1, $\text{Eta}_{\text{overall}}$.

2. Choose speed and calculate curves:

Step	Action
1	Enter pump type.
2	Enter the actual pump speed.
3	Click “calculate”. Result: The program will now calculate and display the corresponding curves: Q/H, P2, Eta_{pump} , P1, $\text{Eta}_{\text{overall}}$.

Options

View

Click “View” to be able to choose between viewing the graphs or the corresponding data listed in a table.

Setup

Click “Setup” to be able to change...

- language (Danish, English and German),
- units for flow, head and power,
- size of the toolbar icons and
- type designation (European or American),
- Show min./max. curves

Help

If problems arise, click the “Help” menu at the top of the screen.
See the display page 5.

Denmark

GRUNDFOS DK A/S
Poul Due Jensens Vej 7A
DK-8850 Bjerringbro
Tlf.: +45-87 50 50 50
Telefax: +45-87 50 51 51

Argentina

Bombas GRUNDFOS de Argentina S.A.
Ruta Panamericana km. 37.500
Lote 34A
1619 - Garin
Pcia. de Buenos Aires
Phone: +54-3327 414 444
Telefax: +54-3327 411 111

Australia

GRUNDFOS Pumps Pty. Ltd.
P.O. Box 2040
Regency Park
South Australia 5942
Phone: +61-8-8461-4611
Telefax: +61-8-8340 0155

Austria

GRUNDFOS Pumpen Vertrieb
Ges.m.b.H.
Grundfosstraße 2
A-5082 Grödig/Salzburg
Tel.: +43-6246-883-0
Telefax: +43-6246-883-30

Belgium

N.V. GRUNDFOS Bellux S.A.
Boomsesteenweg 81-83
B-2630 Aartselaar
Tél.: +32-3-870 7300
Télécopie: +32-3-870 7301

Brazil

GRUNDFOS do Brasil Ltda.
Rua Tomazina 106
CEP 83325 - 040
Pinhais - PR
Phone: +55-41 668 3555
Telefax: +55-41 668 3554

Canada

GRUNDFOS Canada Inc.
2941 Brighton Road
Oakville, Ontario
L6H 6C9
Phone: +1-905 829 9533
Telefax: +1-905 829 9512

China

GRUNDFOS Pumps (Shanghai)
Co. Ltd.
22 Floor, Xin Hua Lian Building
755-775 Huai Hai Rd, (M)
Shanghai 200020
PRC
Phone: +86-21-64 67 28 09
Telefax: +86-21-64 67 28 08

Czech Republic

GRUNDFOS s.r.o.
Cajkovského 21
779 00 Olomouc
Phone: +420-68-5716 111
Telefax: +420-68-543 8908

Finland

OY GRUNDFOS Pumput AB
Mestarintie 11
Piispankylä
FIN-01730 Vantaa (Helsinki)
Phone: +358-9 878 9150
Telefax: +358-9 878 91550

France

Pompes GRUNDFOS Distribution S.A.
Parc d'Activités de Chesnes
57, rue de Malacombe
F-38290 St. Quentin Fallavier
(Lyon)
Tél.: +33-4 74 82 15 15
Télécopie: +33-4 74 94 10 51

Germany

GRUNDFOS GMBH
Schlüterstr. 33
40699 Erkrath
Tel.: +49-(0) 211 929 69-0
Telefax: +49-(0) 211 929 69-3799
e-mail: infoservice@grundfos.de
Service in Deutschland:
e-mail: kundendienst@grundfos.de

Greece

GRUNDFOS Hellas A.E.B.E.
20th km. Athinon-Markopoulou
Av.
P.O. Box 71
GR-19002 Peania
Phone: +30-10-66 83 400
Telefax: +30-10-66 46 273

Hong Kong

GRUNDFOS Pumps (Hong Kong) Ltd.
Unit 1, Ground floor
Siu Wai Industrial Centre
29-33 Wing Hong Street &
68 King Lam Street, Cheung Sha Wan
Kowloon
Phone: +852-27861706/
27861741
Telefax: +852-27858664

Hungary

GRUNDFOS Hungária Kft.
Park u. 8
H-2045 Törökbalint,
Phone: +36-34 520 100
Telefax: +36-34 520 200

India

GRUNDFOS Pumps India Private Limited
Flat A, Ground Floor
61/62 Chamiers Aptmt
Chamiers Road
Chennai 600 028
Phone: +91-44 432 3487
Telefax: +91-44 432 3489

Indonesia

PT GRUNDFOS Pompa
Jl. Rawa Sumur III, Blok III / CC-1
Kawasan Industri, Pulogadung
Jakarta 13930
Phone: +62-21-460 6909
Telefax: +62-21-460 6910/460 6901

Ireland

GRUNDFOS (Ireland) Ltd.
Unit 34, Stillorgan Industrial Park
Blackrock
County Dublin
Phone: +353-1-2954926
Telefax: +353-1-2954739

Italy

GRUNDFOS Pompe Italia S.r.l.
Via Gran Sasso 4
I-20060 Truccazzano (Milano)
Tel.: +39-02-95838112/95838212
Telefax: +39-02-95309290/
95838461

Japan

GRUNDFOS Pumps K.K.
1-2-3, Shin Miyakoda
Hamamatsu City
Shizuoka pref. 431-21
Phone: +81-53-428 4760
Telefax: +81-53-484 1014

Korea

GRUNDFOS Pumps Korea Ltd.
2nd Fl., Dong Shin Building
994-3 Daechi-dong, Kangnam-Ku
Seoul 135-280
Phone: +82-2-5317 600
Telefax: +82-2-5633 725

Malaysia

GRUNDFOS Pumps Sdn. Bhd.
7 Jalan Peguam U1/25
Glenmarie Industrial Park
40150 Shah Alam
Selangor
Phone: +60-3-5569 2922
Telefax: +60-3-5569 2866

Mexico

Bombas GRUNDFOS de Mexico S.A. de C.V.
Boulevard TLC No. 15
Parque Industrial Stiva Aeropuerto
Apodaca, N.L. 66600
Mexico
Phone: +52-81-8144 4000
Telefax: +52-81-8144 4010

Netherlands

GRUNDFOS Nederland B.V.
Postbus 104
NL-1380 AC Weesp
Tel.: +31-294-492 211
Telefax: +31-294-492244/492299

New Zealand

GRUNDFOS Pumps NZ Ltd.
17 Beatrice Tinsley Crescent
North Harbour Industrial Estate
Albany, Auckland
Phone: +64-9-415 3240
Telefax: +64-9-415 3250

Norway

GRUNDFOS Pumper A/S
Strømsveien 344
Postboks 235, Leirdal
N-1011 Oslo
Tlf.: +47-22 90 47 00
Telefax: +47-22 32 21 50

Poland

GRUNDFOS Pompy Sp. z o.o.
ul. Klonowa 23
Baranowo k. Poznania
PL-62-081 Przemierowo
Phone: +48-61-650 13 00
Telefax: +48-61-650 13 50

Portugal

Bombas GRUNDFOS Portugal, S.A.
Rua Calvet de Magalhães, 241
Apartado 1079
P-2780 Paço de Arcos
Tel.: +351-21-440 76 00
Telefax: +351-21-440 76 90

Russia

OOO GRUNDFOS
Shkolnaya, ul., 39
RUS-109544 Moskow
Phone: +7-095 564 8800, 737 3000
Telefax: +7-095 564 8811, 737 7536

Singapore

GRUNDFOS (Singapore) Pte. Ltd.
24 Tuas West Road
Jurong Town
Singapore 638381
Phone: +65-6865 1222
Telefax: +65-6861 8402

Spain

Bombas GRUNDFOS España S.A.
Camino de la Fuentecilla, s/n
E-28110 Algete (Madrid)
Tel.: +34-91-848 8800
Telefax: +34-91-628 0465

Sweden

GRUNDFOS AB
Box 63, Angeredsvinkeln 9
S-424 22 Angered
Tel.: +46-771-32 23 00
Telefax: +46-31 331 94 60

Switzerland

GRUNDFOS Pumpen AG
Bruggacherstrasse 10
CH-8117 Fällanden/ZH
Tel.: +41-1-806 8111
Telefax: +41-1-806 8115

Taiwan

GRUNDFOS Pumps (Taiwan) Ltd.
14, Min-Yu Road
Tunglo Industrial Park
Tunglo, Miao-Li County
Taiwan, R.O.C.
Phone: +886-37-98 05 57
Telefax: +886-37-98 05 70

Thailand

GRUNDFOS (Thailand) Ltd.
947/168 Moo 12, Bangna-Trad Rd., K.M. 3,
Bangna, Phrakonong
Bangkok 10260
Phone: +66-2-744 1785 ... 91
Telefax: +66-2-744 1775 ... 6

Turkey

GRUNDFOS POMPA SAN. ve TIC. LTD. STI
Bulgurlu Caddesi no. 32
TR-81190 Üsküdar Istanbul
Phone: +90 - 216-4280 306
Telefax: +90 - 216-3279 988

United Arab Emirates

GRUNDFOS Gulf Distribution
P.O. Box 16768
Jebel Ali Free Zone
Dubai
Phone: +971-4- 8815 166
Telefax: +971-4-8815 136

United Kingdom

GRUNDFOS Pumps Ltd.
Grovebury Road
Leighton Buzzard/Beds. LU7 8TL
Phone: +44-1525-850000
Telefax: +44-1525-850011

U.S.A.

GRUNDFOS Pumps Corporation
17100 West 118th Terrace
Olathe, Kansas 66061
Phone: +1-913-227-3400
Telefax: +1-913-227-3500

BE > THINK > INNOVATE >

Being responsible is our foundation
Thinking ahead makes it possible
Innovation is the essence

96 42 68 42 0402	GB
Repl. V7 14 56 67 0700	